



# AIR ADMITTANCE VALVES TECHNICAL SPECIFICATION

Job Name _____	Item # _____
Location _____	
Engineer _____	Contractor _____
PO # _____	Tag _____
Representative _____	

## SPECIFICATIONS

The purpose of an Air Admittance Valve is to provide a method of allowing air to enter the plumbing drainage system without the use of a vent extended to open air and to prevent sewer gases from escaping into a building. An Air Admittance Valve is a one way valve designed to allow air to enter the plumbing drainage system when negative pressures develop in the piping system. The device shall close by gravity and seal the vent terminal at zero differential pressure (no flow conditions) and under positive internal pressures.

## APPROVALS & LISTINGS

- ASSE 1050 & 1051
- ICC ESR-1664
- NSF Standard 14
- IAPMO – Classified Mark
- ASTM D 2665/D 2661
- International Plumbing Code (IPC) 2003
- International Residential Code (IRC) 2003



## FEATURES & MATERIALS

Tension Membrane	Silicone
Sweet Spot™	Sweet Spot™ technology opens at -0.01 psi and seals at 0 psi and above
Screening	Screening on air inlets to guard the seal
Grip	Protective sleeve provides grip for installation and keeps valve free from debris
Tested	100% functionally tested at ¼" H <sub>2</sub> O and 30" H <sub>2</sub> O ensuring trouble free performance
Warranty	Limited Lifetime Warranty

## INSTALLATION

Read installation instructions prior to use of this product. Always consult local plumbing codes prior to installing an AAV. Individual, branch and circuit vents are permitted to terminate with a connection to a Sure-Vent® AAV. The Sure-Vent® AAV will only vent fixtures that are on the same floor and connect to a horizontal branch drain. The horizontal branch drain shall connect to the drainage stack a maximum of four branch intervals from the top of the stack. The Sure-Vent® AAV should be located within the maximum developed length permitted for the vent. The Sure-Vent® AAV must be located a minimum of 4 inches above the horizontal branch drain and 6 inches above any insulation material and within 15 degrees of vertical. Every structure in which plumbing is installed shall have at least one primary stack vent. The stack vent should run as directly as possible from the building drain through to the open air.

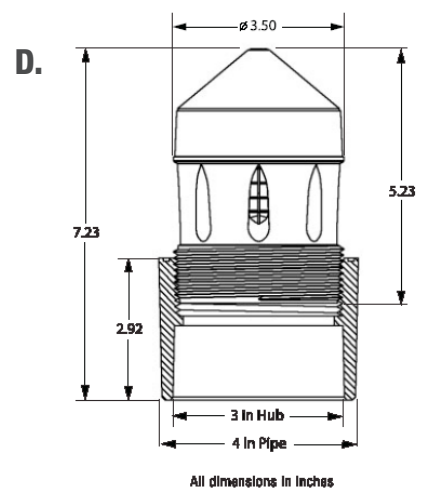
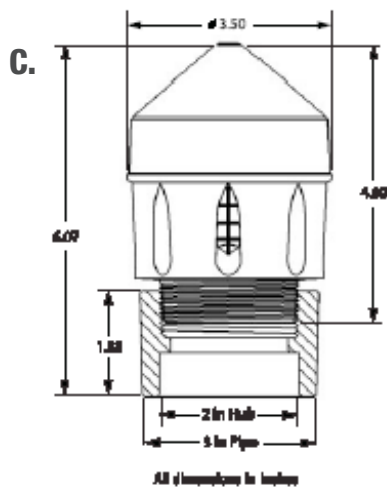
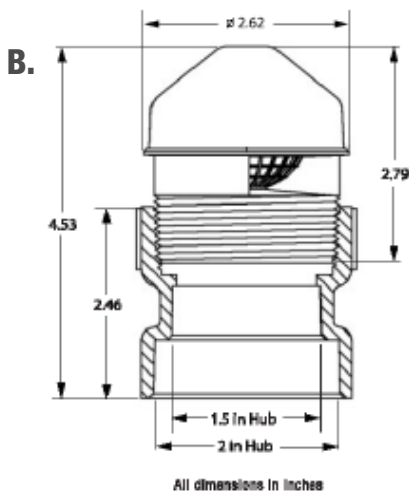
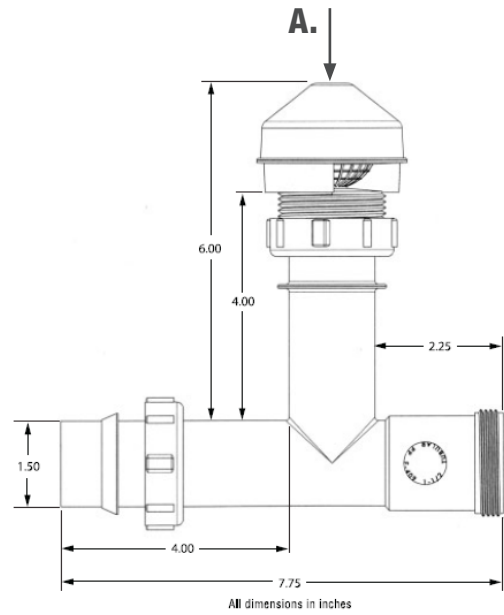
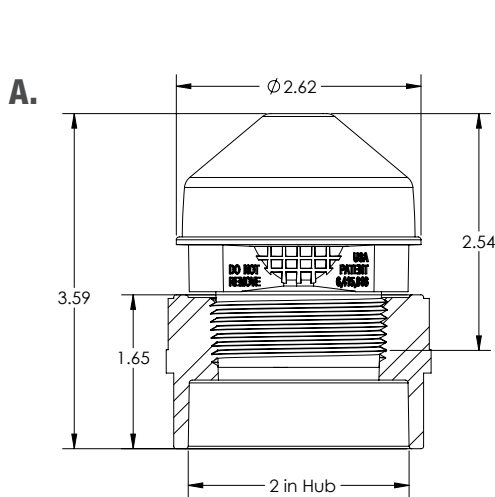
Apply approved pipe joint compound or thread seal tape to the male threads of the valve. Remove protective sleeve after installation.

Access BIM/Revit content through [www.oatey.com](http://www.oatey.com)



# AIR ADMITTANCE VALVES TECHNICAL SPECIFICATION

	DFU Rating	Connection	Membrane	Adapter
A	20 Branch, 8 Stack	1.5" PVC NPT Threads	Silicone	1.5" Polypropylene
B	160 Branch, 24 Stack	2" PVC NPT Threads	Silicone	1.5" x 2" PVC or ABS
C	160 Branch, 72 Stack	2" PVC NPT Threads	Silicone	2" x 3" PVC or ABS
D	160 Branch, 500 Stack	3" PVC NPT Threads	Silicone	3" x 4" PVC or ABS



Access BIM/Revit content through [www.oatey.com](http://www.oatey.com)



# AIR ADMITTANCE VALVES TECHNICAL SPECIFICATION

## PRODUCT SELECTOR

20 BRANCH, 8 STACK DFU SURE-VENT AIR ADMITTANCE VALVE WITH SCHEDULE 40 ADAPTER				
✓	Product Number	Description	Pack	Carton Weight
	39228	20 BRANCH, 8 STACK DFU SURE-VENT, 1.5 IN, W/PVC SCHED 40 ADAPTER	6	2.2 lbs.
	39229	20 BRANCH, 8 STACK DFU SURE-VENT, 1.5 IN, W/ABS SCHED 40 ADAPTER	6	2.2 lbs.
	39005	20 BRANCH, 8 STACK DFU SURE-VENT, 1.5 IN PVC SCHED 40 ADAPTER	50	18 lbs.
	39227	20 BRANCH, 8 STACK DFU SURE-VENT, 1.5 IN W/ABS SCHED 40 ADAPTER	6	18 lbs.
	39250	20 BRANCH, 8 STACK DFU SURE-VENT, 1.5 IN, 90 DEG PVC SCHED 40 ADAPTER	50	18 lbs.
	39251	20 BRANCH, 8 STACK DFU SURE-VENT, 1.5 IN, 90 DEG ABS SCHED 40 ADAPTER	6	18 lbs.
	39252	20 BRANCH, 8 STACK DFU SURE-VENT, 1.5 IN, 90 DEG PVC SCHED 40 ADAPTER	6	2.2 lbs.
	39253	20 BRANCH, 8 STACK DFU SURE-VENT, 1.5 IN, W/90 DEG ABS SCHED 40 ADAPTER	6	2.2 lbs.
	39254	20 BRANCH, 8 STACK DFU SURE-VENT, 1.5 IN, STRAIGHT PVC SCHED 40 ADAPTER	50	18 lbs.
	39256	20 BRANCH, 8 STACK DFU SURE-VENT, 1.5 IN, STRAIGHT ABS SCHED 40 ADAPTER	50	18 lbs.
	39255	20 BRANCH, 8 STACK DFU SURE-VENT, 1.5 IN, STRAIGHT PVC SCHED 40 ADAPTER	6	2.2 lbs.
	39020	20 BRANCH, 8 STACK DFU SURE-VENT, 1.5 IN, NO ADAPTER	6	2.2 lbs.
20 BRANCH, 8 STACK DFU SURE-VENT AIR ADMITTANCE VALVE WITH TUBULAR ADAPTER				
✓	Product Number	Description	Pack	Carton Weight
	39225	20 BRANCH, 8 STACK DFU SURE-VENT, 1.5 IN WHITE TUBULAR ADAPTER	6	3 lbs.
	39226	20 BRANCH, 8 STACK DFU SURE-VENT, 1.5 IN BLACK TUBULAR ADAPTER	6	3 lbs.
	39228	20 BRANCH, 8 STACK DFU SURE-VENT, 1.5 IN, W/PVC ADAPTER	6	3 lbs.
	39239	20 BRANCH, 8 STACK DFU SURE-VENT, 1.5 IN, INSTALLATION PACK W/TUBULAR ADAPTER	6	3 lbs.
	39020	20 BRANCH, 8 STACK DFU SURE-VENT, 1.5 IN, NO ADAPTER	50	5 lbs.
	392393	20 BRANCH, 8 STACK DFU SURE-VENT, 1.5 IN, INSTALLATION PACK- 3 PACK	6	3 lbs.
	39245	20 BRANCH, 8 STACK DFU SURE-VENT, 1.5 IN, TRAP PACK	20	14 lbs.

Access BIM/Revit content through [www.oatey.com](http://www.oatey.com)



# AIR ADMITTANCE VALVES TECHNICAL SPECIFICATION

## PRODUCT SELECTOR

160 BRANCH, 24 STACK DFU SURE-VENT AIR ADMITTANCE VALVE WITH SCHEDULE 40 ADAPTER				
✓	Product Number	Description	Pack	Carton Weight
	39016	160 BRANCH, 24 STACK DFU SURE-VENT, 1.5 X 2 IN PVC SCHED 40 ADAPTER	6	2.2 lbs.
	39018	160 BRANCH, 24 STACK DFU SURE-VENT, 1.5 X 2 IN ABS SCHED 40 ADAPTER	6	2.2 lbs.
	39017	160 BRANCH, 24 STACK DFU SURE-VENT, 1.5 X 2 IN PVC SCHED 40 ADAPTER	50	18 lbs.
	39019	160 BRANCH, 24 STACK DFU SURE-VENT, 1.5 X 2 IN ABS SCHED 40 ADAPTER	50	18 lbs.
	39238	160 BRANCH, 24 STACK DFU SURE-VENT, 1.5 IN W/MECHANICAL ADAPTER	12	4 lbs.
	39018C	160 BRANCH, 24 STACK DFU SURE-VENT, 1.5-2 IN ABS CANADA	6	2.2 lbs
160 BRANCH, 72 STACK DFU SURE-VENT AIR ADMITTANCE VALVE WITH SCHEDULE 40 ADAPTER				
✓	Product Number	Description	Pack	Carton Weight
	39220	160 BRANCH, 72 STACK DFU SURE-VENT, 2 X 3 IN PVC SCHED 40 ADAPTER	6	3.2 lbs.
	39221	160 BRANCH, 72 STACK DFU SURE-VENT, 2 X 3 IN ABS SCHED 40 ADAPTER	6	3.2 lbs.
160 BRANCH, 500 STACK DFU SURE-VENT AIR ADMITTANCE VALVE WITH SCHEDULE 40 ADAPTER				
✓	Product Number	Description	Pack	Carton Weight
	39223	160 BRANCH, 500 STACK DFU SURE-VENT, 3 X 4 IN PVC SCHED 40 ADAPTER	6	5 lbs.
	39224	160 BRANCH, 500 STACK DFU SURE-VENT, 3 X 4 IN ABS SCHED 40 ADAPTER	6	5 lbs.

Data is subject to manufacturing tolerances.

Access BIM/Revit content through [www.oatey.com](http://www.oatey.com)